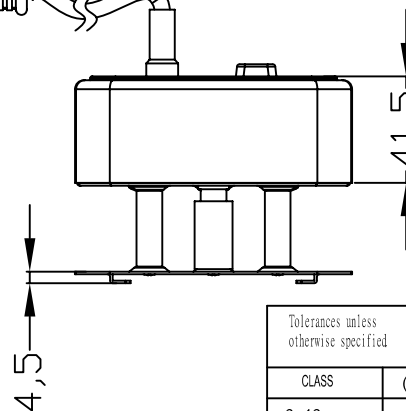
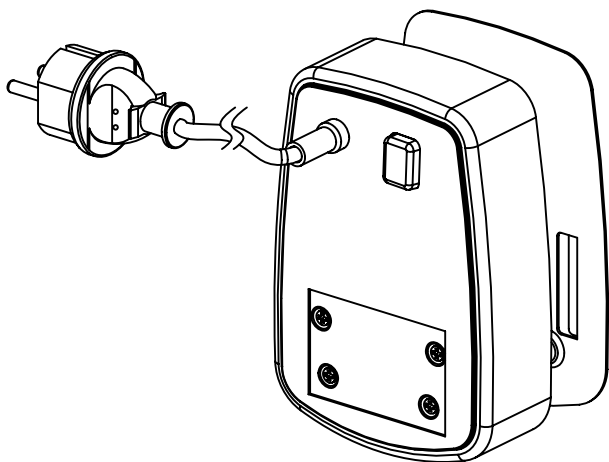
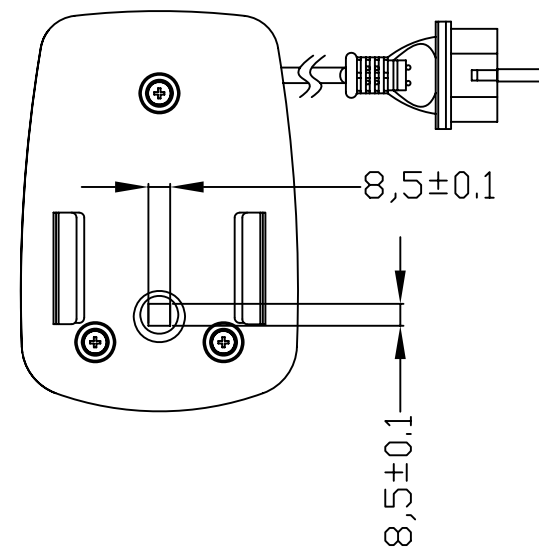
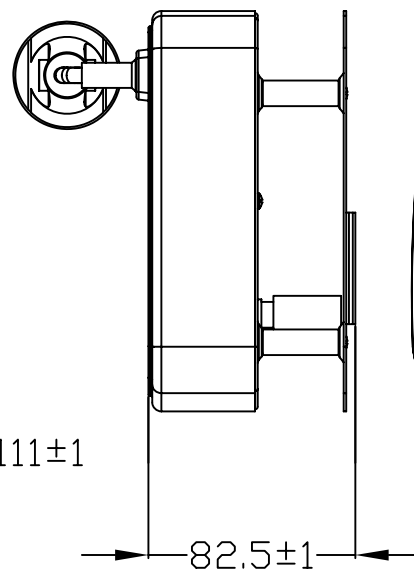
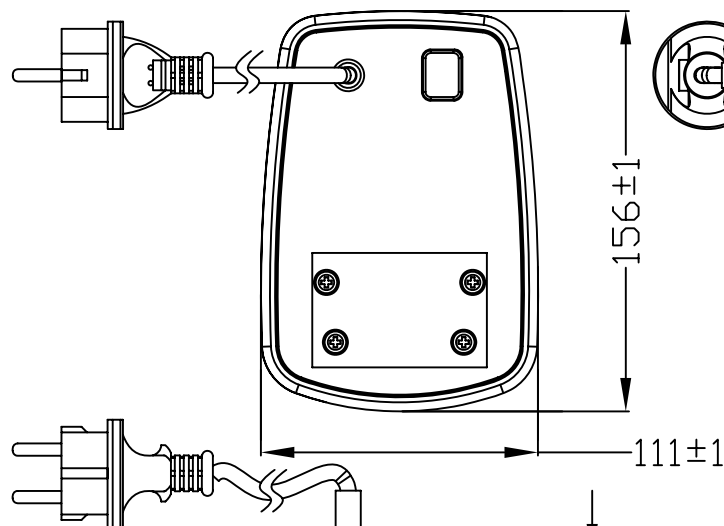
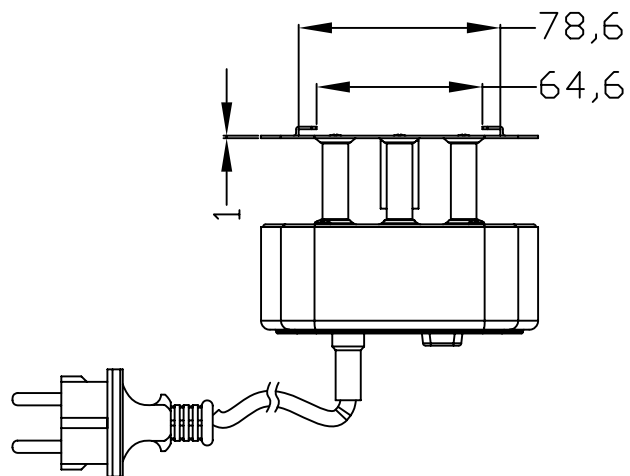
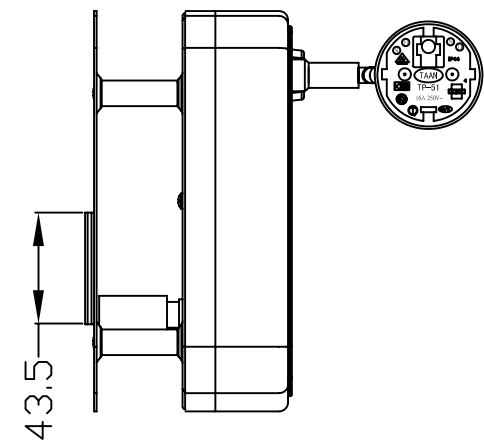


ECN	REWORK	DATE	MODIFY DESCRIPTION

NAC Napoleon Appliance Corporation
 Date: Jun 20, 2012
 Part#: CS-6036-CE.pdf

NAC#65032

Product Item	RPM Motor CS6036
Rated Voltage	AC 220-240V
Ampere	20mA
Hertz	50Hz
Power	≤4W
Torque	25000g ^f CM
RPM	0.8~1RPM
Insulation Class	Class A
Temp Range	-10°C ~ +60 °C
Certificate	CE , C-Tick



Tolerances unless otherwise specified (Unit:mm)			DRAWING NAME: 產品外觀圖			PARTS NAME: 6036 外觀圖(德)				
CLASS	(TOL-A)	(TOL-B)	UNITS:	SCALE:	PROJECTION:	MATERIAL:		Surface treatment:		
0~10	±0.05	±0.10	mm	Free						
10~50	±0.10	±0.20				APPROVED BY:	RETRIAL:	FIRST TRIAL:	DRAWING BY:	
50~100	±0.20	±0.30								
100~	±0.30	±0.50								
ANGLE	±1/2°	±1°								